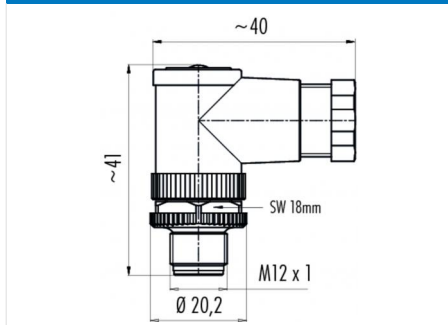


Product **Contacts: 4, Cable outlet: 4-6 mm, male angled connector, metal lock, screw terminal connection, with UL approval**  
 Area **M12-A Series 713**  
 Article number **99 0429 24 04**

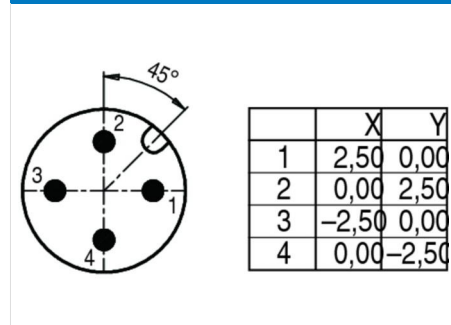
### Illustration



### Scale drawing



### Contact Arrangement



You can find the item description and assembly instruction on the next page.

## Technical data

### Common values

Connector Design	Winkelstecker
Connector locking system	bolted
Termination	screw
Wire gauge (mm)	0,75 mm <sup>2</sup>
Wire gauge (AWG)	18
Cable outlet	4 – 6 mm
Upper temperature	85 °C
Lower temperature	-40 °C

### Cable data

Approval 1	UL
------------	----

### Electrical values

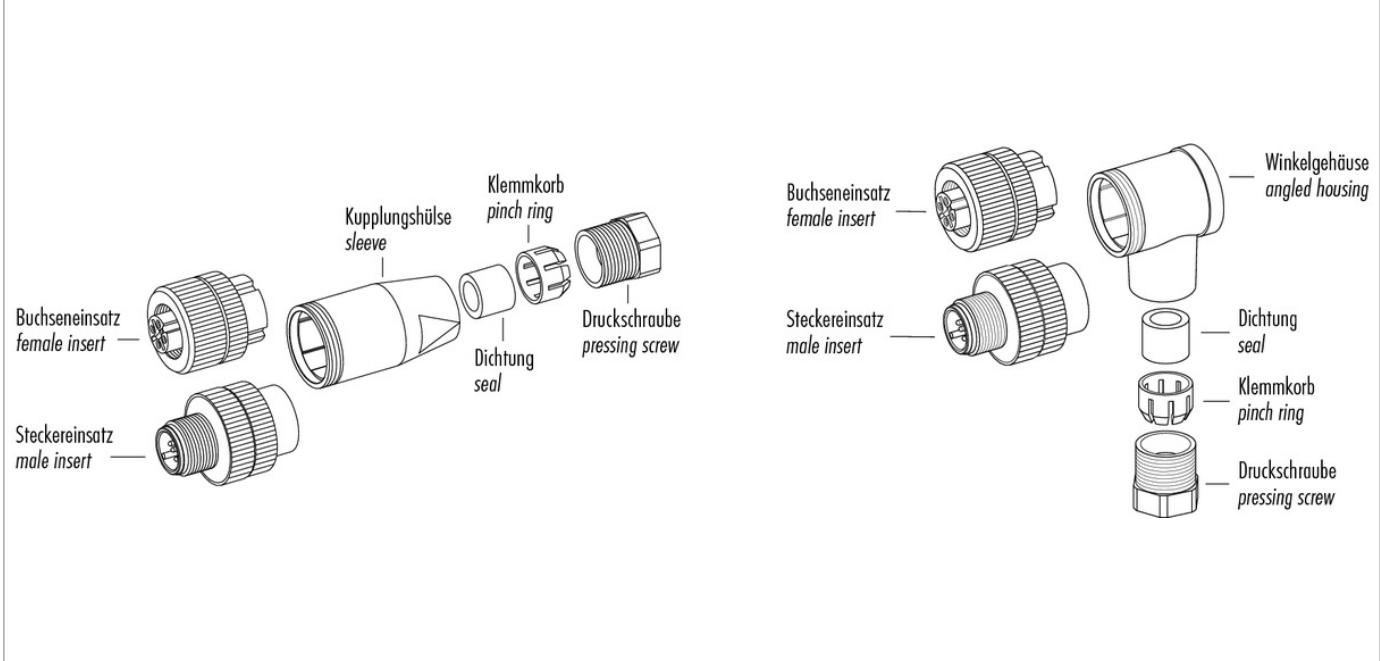
Rated voltage	250
Rated impulse voltage	2500 V
Pollution degree	3
Overvoltage category	II
Material group	II
Rated current (40°C)	4 A
Volume resistivity	≤ 8 mΩ
EMV compliance	not shielded
Degree of protection	IP67
Mechanical operation	> 50 Mating cycles

### Material

Material of contact	CuZn (Messing)
Contact plating	CuSnZn (Optaloy)
Material of contact body	PA

Product	<b>Contacts: 4, Cable outlet: 4-6 mm, male angled connector, metal lock, screw terminal connection, with UL approval</b>
Area	<b>M12-A Series 713</b>
Article number	<b>99 0429 24 04</b>

**Item description**



**Installation instructions / Mounting cutout**

Öffnungswerkzeug für Käfigzugfederversion  
opening tool for wire clamp connection

	Schraubklemmversion screw connection	Lötversion solder version	Käfigzugfederversion wire clamp connection
Maß A/mm measure A/mm	<b>5</b>	<b>3,5</b>	<b>7</b>