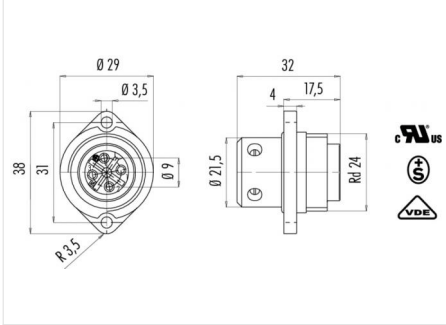


Product	Contacts: 3+PE, male panel mount connector, PG 9, with VDE, ETS, UL approval, screw
Area	RD24 Power Series 692/693
Article number	09 4223 00 04

Illustration



Scale drawing



Contact Arrangement

	X	Y
1	-3,18	-3,18
2	-3,18	3,18
3	3,18	3,18
PE	3,18	-3,18

You can find the assembly instruction on the next page.

Technical data

Common values

Connector Design	male panel mount connector
Connector locking system	bolted
Termination	screw
Wire gauge (mm)	0,5-2,5 mm ²
Wire gauge (AWG)	-
Cable outlet	-
Upper temperature	100 °C
Lower temperature	-40 °C

Electrical values

Rated voltage	600
Rated impulse voltage	6000 V
Pollution degree	3
Overvoltage category	III
Material group	III
Rated current (40°C)	16 A (12 A UL)
Volume resistivity	≤ 5 mΩ
EMV compliance	not shielded
Degree of protection	IP67
Mechanical operation	> 50 Mating cycles

Cable data

Approval 1	UL
Approval 2	ESTI+
Approval 3	VDE

Material

Material of contact	CuZn (Messing)
Contact plating	Ag (silver)
Material of contact body	PBT

Product **Contacts: 3+PE, male panel mount connector, PG 9, with VDE, ETS, UL approval, screw**

Area **RD24 Power Series 692/693**
Article number **09 4223 00 04**

Installation instructions / Mounting cutout

