
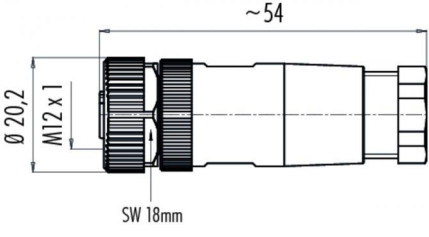
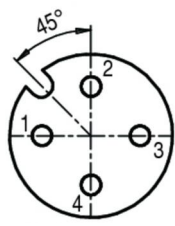


Product **Contacts: 4, Cable outlet: 4-6 mm, female cable connector, metal lock, screw terminal connection, with UL approval**
 Area **M12-A Series 713**
 Article number **99 0430 14 04**

Illustration	Scale drawing	Contact Arrangement															
		 <table border="1" data-bbox="1276 616 1484 795"> <thead> <tr> <th></th> <th>X</th> <th>Y</th> </tr> </thead> <tbody> <tr> <td>1</td> <td>-2,50</td> <td>0,00</td> </tr> <tr> <td>2</td> <td>0,00</td> <td>2,50</td> </tr> <tr> <td>3</td> <td>2,50</td> <td>0,00</td> </tr> <tr> <td>4</td> <td>0,00</td> <td>-2,50</td> </tr> </tbody> </table>		X	Y	1	-2,50	0,00	2	0,00	2,50	3	2,50	0,00	4	0,00	-2,50
	X	Y															
1	-2,50	0,00															
2	0,00	2,50															
3	2,50	0,00															
4	0,00	-2,50															

You can find the item description and assembly instruction on the next page.

Technical data

Common values

Connector Design	Cable socket
Connector locking system	bolted
Termination	screw
Wire gauge (mm)	0,75 mm ²
Wire gauge (AWG)	18
Cable outlet	4 – 6 mm
Upper temperature	85 °C
Lower temperature	-40 °C

Cable data

Approval 1	UL
------------	----

Electrical values

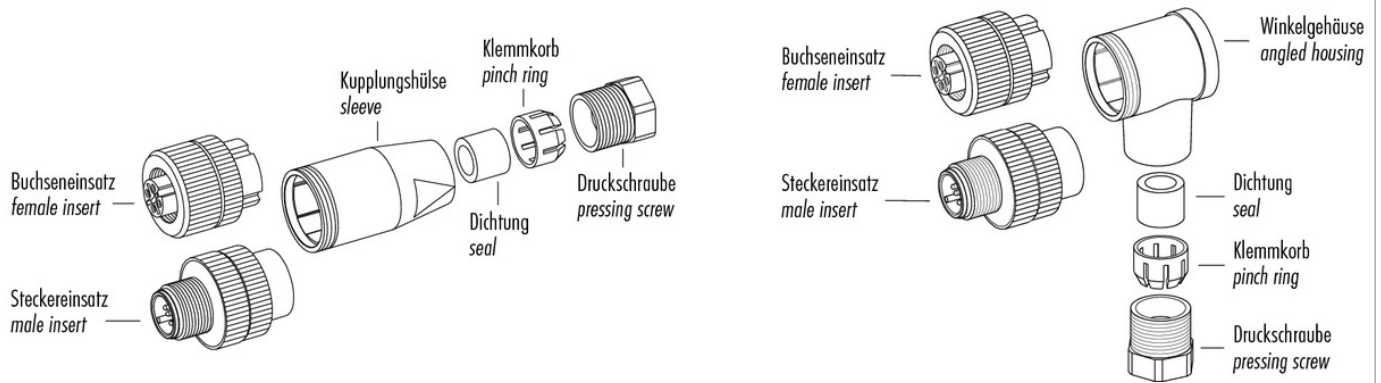
Rated voltage	250
Rated impulse voltage	2500 V
Pollution degree	3
Overvoltage category	II
Material group	II
Rated current (40°C)	4 A
Volume resistivity	≤ 8 mΩ
EMV compliance	not shielded
Degree of protection	IP67
Mechanical operation	> 50 Mating cycles

Material

Material of contact	CuZn (Messing)
Contact plating	CuSnZn (Optaloy)
Material of contact body	PA

Product **Contacts: 4, Cable outlet: 4-6 mm, female cable connector, metal lock, screw terminal connection, with UL approval**
 Area **M12-A Series 713**
 Article number **99 0430 14 04**

Item description



Installation instructions / Mounting cutout

