



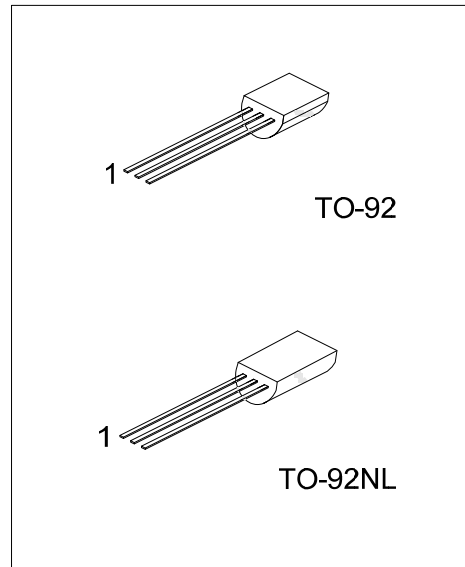
**2SC2328A**

**NPN EPITAXIAL SILICON TRANSISTOR**

**AUDIO POWER AMPLIFIER**

■ FEATURES

- \* Collector Dissipation  $P_c=1$  W
- \* 3 W Output Application
- \* Complement of 2SA928A



■ ORDERING INFORMATION

Ordering Number		Package	Pin Assignment			Packing
Lead Free	Halogen Free		1	2	3	
2SC2328AL-x-T92-B	2SC2328AG-x-T92-B	TO-92	E	C	B	Tape Box
2SC2328AL-x-T92-K	2SC2328AG-x-T92-K	TO-92	E	C	B	Bulk
2SC2328AL-x-T9N-K	2SC2328AG-x-T9N-K	TO-92NL	E	C	B	Bulk
2SC2328AL-x-T9N-B	2SC2328AG-x-T9N-B	TO-92NL	E	C	B	Tape Box

Note: Pin Assignment: E: Emitter C: Collector B: Base

<p>2SC2328AG-x-T92-B</p> <p>(1) Packing Type (2) Package Type (3) Rank (4) Green Package</p>	<p>(1) B: Tape Box, K: Bulk (2) T92: TO-92, T9N: TO-92NL (3) x: refer to Classification of <math>h_{FE}</math> (4) G: Halogen Free and Lead Free, L: Lead Free</p>
--	--

■ MARKING

TO-92	TO-92NL
<p>UTC C2328A □ □ □ □ □ Rank ← → Date Code L: Lead Free G: Halogen Free</p>	<p>UTC C2328A □ □ □ □ □ Date Code ← → L: Lead Free G: Halogen Free</p>

# 2SC2328A

## NPN EPITAXIAL SILICON TRANSISTOR

### ■ ABSOLUTE MAXIMUM RATING ( $T_A=25^{\circ}\text{C}$ , unless otherwise specified)

PARAMETER	SYMBOL	RATINGS	UNIT
Collector-Base Voltage	$V_{CBO}$	30	V
Collector-Emitter Voltage	$V_{CEO}$	30	V
Emitter-Base Voltage	$V_{EBO}$	5	V
Collector Dissipation	TO-92	500	mW
	TO-92NL	625	
Collector Current	$I_C$	2	A
Junction Temperature	$T_J$	+150	$^{\circ}\text{C}$
Storage Temperature	$T_{STG}$	-55 ~ +150	$^{\circ}\text{C}$

Note: Absolute maximum ratings are those values beyond which the device could be permanently damaged. Absolute maximum ratings are stress ratings only and functional device operation is not implied.

### ■ ELECTRICAL CHARACTERISTICS ( $T_A=25^{\circ}\text{C}$ , unless otherwise specified)

PARAMETER	SYMBOL	TEST CONDITIONS	MIN	TYP	MAX	UNIT
Collector-Base Breakdown Voltage	$BV_{CBO}$	$I_C=100\mu\text{A}, I_E=0$	30			V
Collector-Emitter Breakdown Voltage	$BV_{CEO}$	$I_C=10\text{mA}, I_B=0$	30			V
Emitter-Base Breakdown Voltage	$BV_{EBO}$	$I_E=1\text{mA}, I_C=0$	5			V
Collector Cut-Off Current	$I_{CBO}$	$V_{CB}=30\text{V}, I_E=0$			100	nA
Emitter Cut-Off Current	$I_{EBO}$	$V_{BE}=5\text{V}, I_C=0$			100	nA
DC Current Gain (Note)	$h_{FE}$	$V_{CE}=2\text{V}, I_C=500\text{mA}$	100		320	
Base-Emitter On Voltage	$V_{BE(ON)}$	$V_{CE}=2\text{V}, I_C=500\text{mA}$			1	V
Collector-Emitter Saturation Voltage	$V_{CE(SAT)}$	$I_C=1.5\text{A}, I_B=0.03\text{A}$			2	V
Output Capacitance	$C_{OB}$	$V_{CB}=10\text{V}, I_E=0, f=1\text{MHz}$		30		pF
Current Gain Bandwidth Product	$f_T$	$V_{CE}=2\text{V}, I_C=500\text{mA}$		120		MHz

### ■ CLASSIFICATION OF $h_{FE}$

RANK	O	Y
RANGE	100-200	160-320

UTC assumes no responsibility for equipment failures that result from using products at values that exceed, even momentarily, rated values (such as maximum ratings, operating condition ranges, or other parameters) listed in products specifications of any and all UTC products described or contained herein. UTC products are not designed for use in life support appliances, devices or systems where malfunction of these products can be reasonably expected to result in personal injury. Reproduction in whole or in part is prohibited without the prior written consent of the copyright owner. UTC reserves the right to make changes to information published in this document, including without limitation specifications and product descriptions, at any time and without notice. This document supersedes and replaces all information supplied prior to the publication hereof.