

LM2005 20 Watt Automotive Power Amplifier

General Description

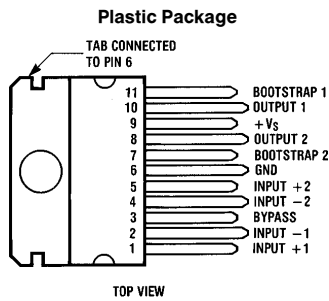
The LM2005 is a dual high power amplifier, designed to deliver optimum performance and reliability for automotive applications. High current capability (3.5A) enables the device to deliver 10W/channel into 2Ω (LM2005T-S), or 20W bridged monaural (LM2005T-M) into 4Ω, with low distortion.

Features

- Wide supply range (8V–18V)
- Externally programmable gain
- With or without bootstrap
- Low distortion
- Low noise

- High peak current capability
- $P_O = 20W$ bridge
- High voltage protection
- AC and DC output short circuit protection to ground or across load
- Thermal protection
- Inductive load protection
- Accidental open ground protection
- Immunity to 40V power supply transients
- 3°C/W device dissipation
- Pin for pin compatible with TDA2005

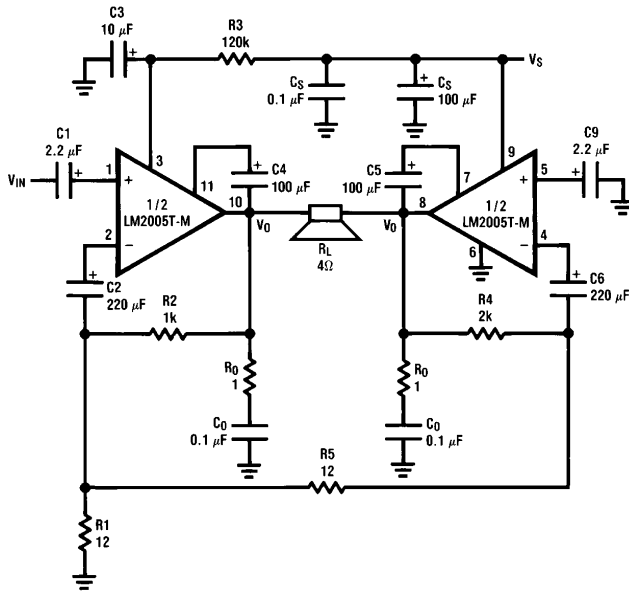
Connection Diagram



TL/H/5129-1

Order Number LM2005T-S
or LM2005T-M
See NS Package Number TA11A

Typical Application



TL/H/5129-2

FIGURE 1. 20W Bridge Amplifier Application and Test Circuit

LM2005T-M and LM2005T-S Absolute Maximum Ratings

If Military/Aerospace specified devices are required, please contact the National Semiconductor Sales Office/Distributors for availability and specifications.

Operating Supply Voltage	18V	Output Current	
DC Supply Voltage (Note 1)	28V	Repetitive (Note 2)	3.5A
Peak Supply Voltage (50 ms)	40V	Non-Repetitive	4.5A
		Power Dissipation	30W
		Operating Temperature	-40°C to +85°C
		Storage Temperature	-60°C to +150°C
		Lead Temp. (Soldering, 10 seconds)	260°C

LM2005T-M

Electrical Characteristics Refer to the **bridge** application circuit, *Figure 1*, $T_{amb} = 25^{\circ}\text{C}$, $A_V = 50\text{ dB}$, $R_{th}(\text{heatsink}) = 4^{\circ}\text{C/W}$, unless otherwise specified

Parameter	Test Conditions	Min	Typ	Max	Units
Supply Voltage		8		18	V
Output Offset Voltage (Note 3) (between Pin 8 and 10)	$V_S = 14.4\text{V}$ $V_S = 13.2\text{V}$		± 20	± 150 ± 150	mV mV
Total Quiescent Drain Current Includes Current in Feedback Resistors	$V_S = 14.4\text{V}$ $R_L = 4\Omega$ $V_S = 13.2\text{V}$ $R_L = 3.2\Omega$		75 70	150 160	mA mA
Output Power	$d = 10\%$ $f = 1\text{ kHz}$ $V_S = 14.4\text{V}$ $R_L = 4\Omega$ $R_L = 3.2\Omega$ $V_S = 13.2\text{V}$ $R_L = 3.2\Omega$	18 20 17	20 22 19		W W W
THD	$f = 1\text{ kHz}$ $V_S = 14.4\text{V}$ $R_L = 4\Omega$ $P_O = 50\text{ mW to }15\text{W}$ $V_S = 13.2\text{V}$ $R_L = 3.2\Omega$ $P_O = 50\text{ mW to }13\text{W}$			1 1	% %
Input Sensitivity	$f = 1\text{ kHz}$ $P_O = 2\text{W}$ $R_L = 4\Omega$ $P_O = 2\text{W}$ $R_L = 3.2\Omega$		9 8		mV mV
Input Resistance	$f = 1\text{ kHz}$	70			k Ω
Low Frequency Roll Off (-3 dB)	$R_L = 3.2\Omega$			40	Hz
High Frequency Roll Off (-3 dB)	$R_L = 3.2\Omega$	20			kHz
Closed Loop Voltage Gain	$f = 1\text{ kHz}$	45	50		dB
Total Input Noise Voltage	$R_g = 10\text{ k}\Omega$ (Note 4)		3	10	μV
Supply Voltage Rejection	$R_g = 10\text{ k}\Omega$ $f_{\text{ripple}} = 100\text{ Hz}$ $C_4 = 10\text{ }\mu\text{F}$ $V_{\text{ripple}} = 0.5\text{V}$	45	55		dB
Efficiency	$V_S = 14.4\text{V}$ $f = 1\text{ kHz}$ $P_O = 20\text{W}$ $R_L = 4\Omega$ $P_O = 22\text{W}$ $R_L = 3.2\Omega$ $V_S = 13.2\text{V}$ $f = 1\text{ kHz}$ $P_O = 19\text{W}$ $R_L = 3.2\Omega$		60 60 58		% % %
Output Voltage with One Side of the Speaker Shorted to Ground	$V_S = 14.4\text{V}$ $R_L = 4\Omega$ $V_S = 13.2\text{V}$ $R_L = 3.2\Omega$			2	V

Note 1: Internal voltage limit. Shuts down above 20V.

Note 2: Internal current limit.

Note 3: For LM2005T-M only.

Note 4: Bandwidth filter: 22 Hz to 22 kHz.

LM2005T-S

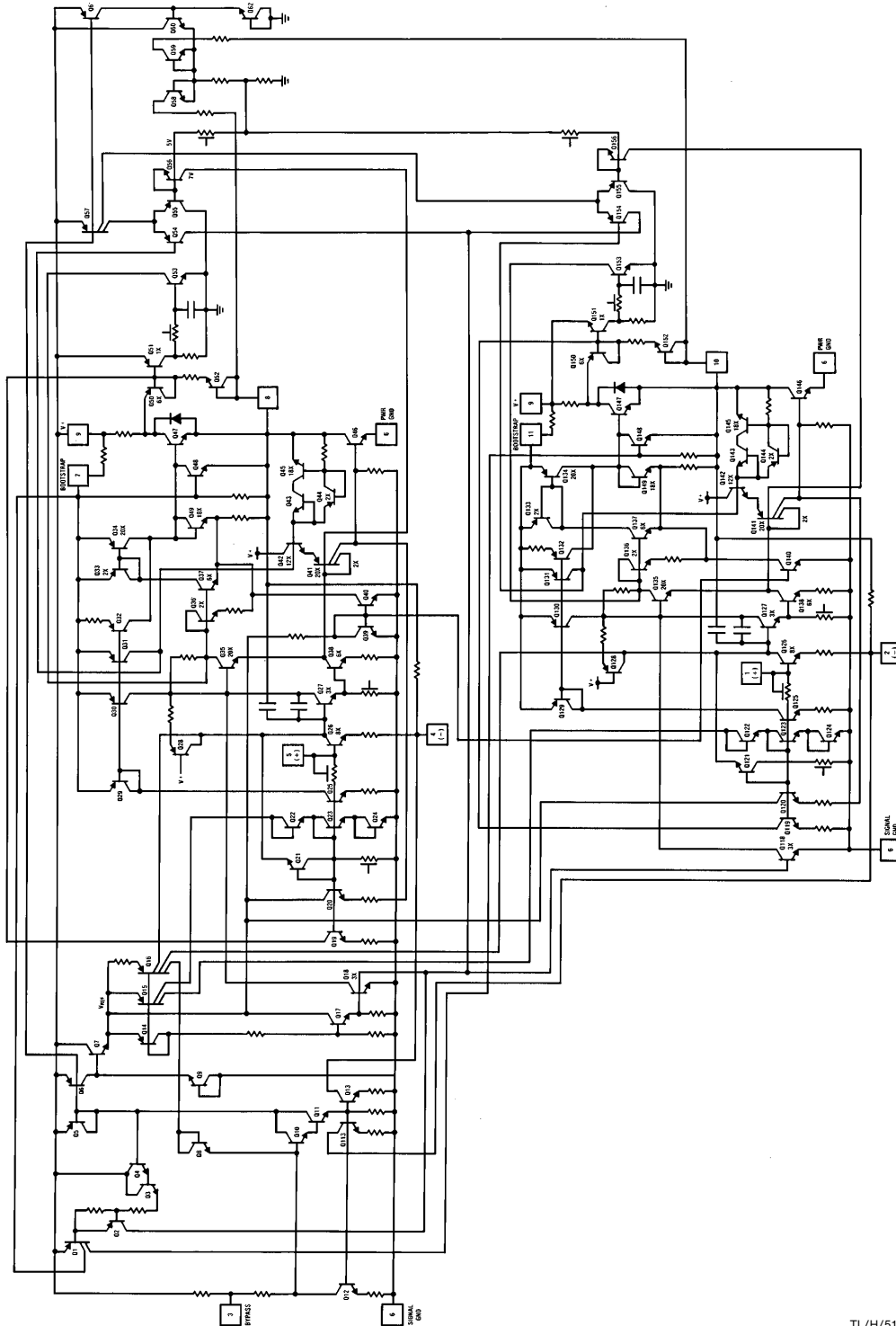
Electrical Characteristics Refer to the **stereo** application circuit, *Figure 2*, $T_{amb} = 25^{\circ}\text{C}$, $G_v = 50\text{ dB}$, $R_{th}(\text{heatsink}) = 4^{\circ}\text{C/W}$, unless otherwise specified

Parameter	Test Conditions	Min	Typ	Max	Units
Supply Voltage		8		18	V
Quiescent Output Voltage	$V_S = 14.4\text{V}$	6.6	7.2	7.8	V
	$V_S = 13.2\text{V}$	6	6.6	7.2	V
Total Quiescent Drain Current Includes Current in Feedback Resistors	$V_S = 14.4\text{V}$		65	120	mA
	$V_S = 13.2\text{V}$		62	120	mA
Output Power (Each Channel)	$f = 1\text{ kHz}$ $V_S = 14.4\text{V}$ $d = 10\%$ $R_L = 4\Omega$	6	6.5		W
	$R_L = 3.2\Omega$	7	8		W
	$R_L = 2\Omega$	9	10		W
	$R_L = 1.6\Omega$	10	11		W
	$V_S = 13.2\text{V}$ $R_L = 3.2\Omega$	6	6.5		W
	$R_L = 1.6\Omega$	9	10		W
THD (Each Channel)	$f = 1\text{ kHz}$ $V_S = 14.4\text{V}$ $P_O = 50\text{ mW to }4\text{W}$ $R_L = 4\Omega$		0.2	1	%
	$V_S = 14.4\text{V}$ $P_O = 50\text{ mW to }6\text{W}$ $R_L = 2\Omega$		0.3	1	%
	$V_S = 13.2\text{V}$ $P_O = 50\text{ mW to }3\text{W}$ $R_L = 3.2\Omega$		0.2	1	%
	$V_S = 13.2\text{V}$ $P_O = 40\text{ mW to }6\text{W}$ $R_L = 1.6\Omega$		0.3	1	%
Cross Talk (Note 5)	$V_S = 14.4\text{V}$ $R_L = 4\Omega$ $V_O = 4 V_{rms}$ $R_g = 5\text{ k}\Omega$ $f = 1\text{ kHz}$	40	60		dB
	$f = 10\text{ kHz}$		40		dB
Input Saturation Voltage		300			mV
Input Sensitivity	$f = 1\text{ kHz}$ $P_O = 1\text{W}$ $R_L = 4\Omega$ $R_L = 3.2\Omega$		6 5.5		mV
Input Resistance	$f = 1\text{ kHz}$ Non-Inverting Input	70	200		k Ω
	Inverting Input		10		k Ω
Low Frequency Roll Off (-3 dB)	$R_L = 2\Omega$			50	Hz
High Frequency Roll Off (-3 dB)	$R_L = 2\Omega$	15			kHz
Voltage Gain (Open Loop)	$f = 1\text{ kHz}$		90		dB
Voltage Gain (Closed Loop)	$f = 1\text{ kHz}$	48	50	51	dB
Closed Loop Gain Matching			0.5		dB
Total Input Noise Voltage	$R_g = 10\text{ k}\Omega$ (Note 6)		1.5	5	μV
Supply Voltage Rejection	$R_g = 10\text{ k}\Omega$ $C_3 = 10\text{ }\mu\text{F}$ $f_{ripple} = 100\text{ Hz}$ $V_{ripple} = 0.5\text{V}$	35	45		dB
Efficiency	$V_S = 14.4\text{V}$ $f = 1\text{ kHz}$ $R_L = 4\Omega$ $P_O = 6.5\text{W}$		70		%
	$R_L = 2\Omega$ $P_O = 10\text{W}$		60		%
	$V_S = 13.2\text{V}$ $f = 1\text{ kHz}$ $R_L = 3.2\Omega$ $P_O = 6.5\text{W}$		70		%
	$R_L = 1.6\Omega$ $P_O = 10\text{W}$		60		%

Note 5: For LM2005T-S only.

Note 6: Bandwidth filter: 22 Hz to 22 kHz.

Equivalent Schematic



TL/H/5129-3

External Components (Figure 2)

Components	Comments	Components	Comments
1. R1, R2 R5, R4	Sets voltage gain, $A_V \cong 1 + \frac{R'}{R1}$ $A_V = 1 + \frac{R'}{R5}$ Where R' is the equivalent resistance of R2 in parallel with an internal 10k resistor: $R' = \frac{10k \cdot R2}{R2 + 10k}$ If $R2 \ll 10k$, then $A_V \cong 1 + \frac{R2}{R1}$	5. C4, C5	Bootstrap capacitors, used to increase drive to output stage.
2. R3	Adjusts output symmetry for maximum power output.	6. C3	Improves power supply rejection. Increasing C3 increases turn-on delay (approximately 2 ms per μF).
3. R0, C0	Works to stabilize internal output stage. Necessary for stability. C0 should be ceramic disc or equivalently good high frequency capacitor.	7. C2, C6	Inverting input DC decouple. Low frequency pole: $F_{L2} = \frac{1}{2\pi Z(\text{inverting})C2}$ $Z(\text{inverting}) \approx 10 k\Omega.$
4. C1, C9	Input coupling capacitor. Low frequency pole set by $F_{L1} = \frac{1}{2\pi Z(\text{non-inverting})C1}$ Decreasing capacitor value will also increase noise.	8. Cc	Output coupling capacitor. Isolates pins 10 and 8 from load. Low frequency pole; $F_{L3} = \frac{1}{2\pi R_L C_C}$
		9. Cs	Power supply filtering.

Typical Applications (Continued)

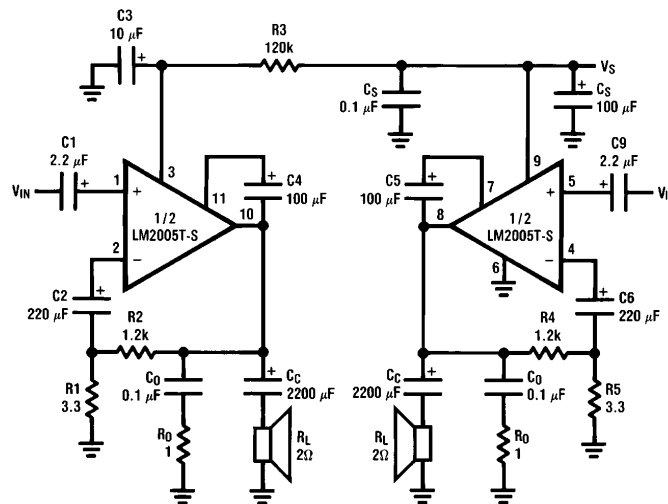
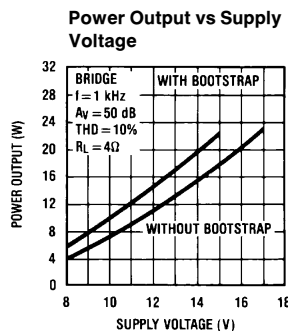
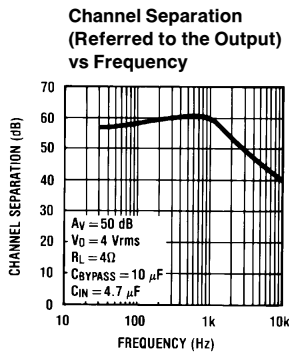
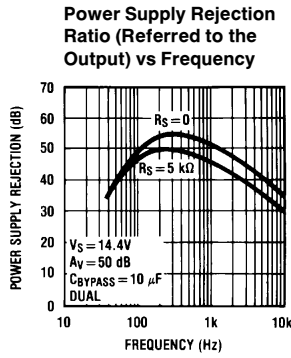
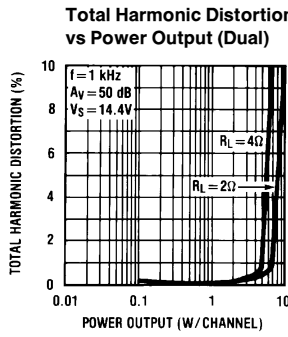
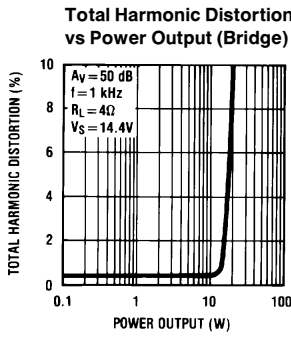
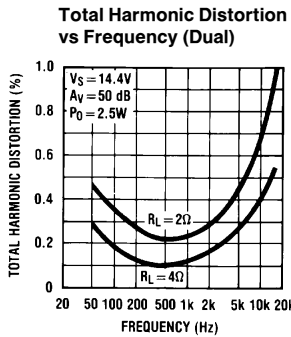
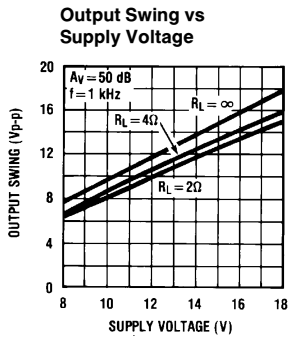
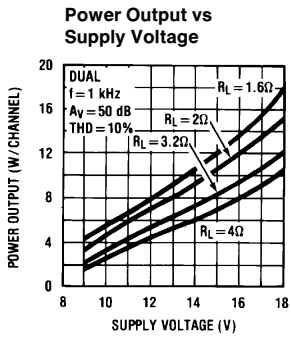
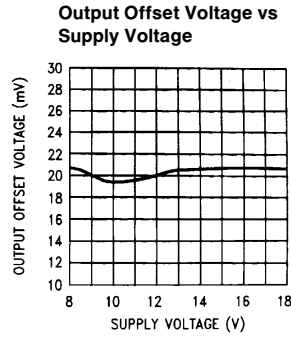
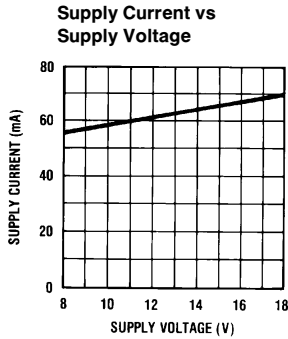
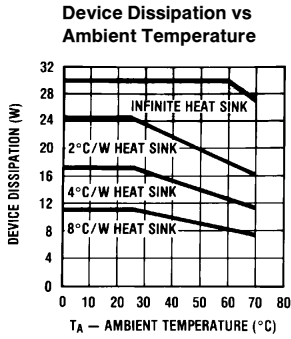


FIGURE 2. 10W/Channel Stereo Amplifier Application and Test Circuit

TL/H/5129-4

Typical Performance Characteristics



Application Hints

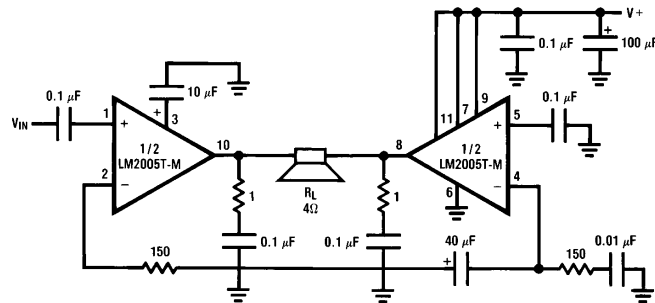
The high current capability of the LM2005 allows it to continuously endure either AC or DC short circuit of the output with a maximum supply voltage of 16V. This will protect the loudspeaker in a bridge mode, when a DC short of the output occurs on one side of the speaker. The device will prevent the speaker from destruction by reducing the DC across the speaker (bridge mode) to typically less than $2 V_{DC}(V_S=14.4V, R_L=4\Omega)$, by an internal current pullback method.

The LM2005 can withstand a constant $28 V_{DC}$ on the supply with no damage (maximum operating voltage is 18V). The device is also protected from load dump or dangerous transients up to 40V for 50 ms (every 1000 ms) on the supply with no damage.

Protection diodes protect the device driving inductive loads, during which the load can generate voltages greater than

supply or less than ground levels. The protection diodes will clamp these transients to a safe V_{BE} above and below the rails.

The bridge configuration in *Figure 3* is designed for applications requiring minimal printed circuit board area and maximum cost effectiveness. The circuit will function with the elimination of bootstrap components R3, C4 and C5 (refer to *Figure 1*). This will result in less output power by decreasing output voltage swing to the load. By using internal feedback resistors (typically 10 k Ω), feedback components R2, R3 and C2 (*Figure 1*) may be omitted where closed loop voltage gain accuracy is not critical. The net result is a stable, cost effective circuit that will satisfy many application needs.

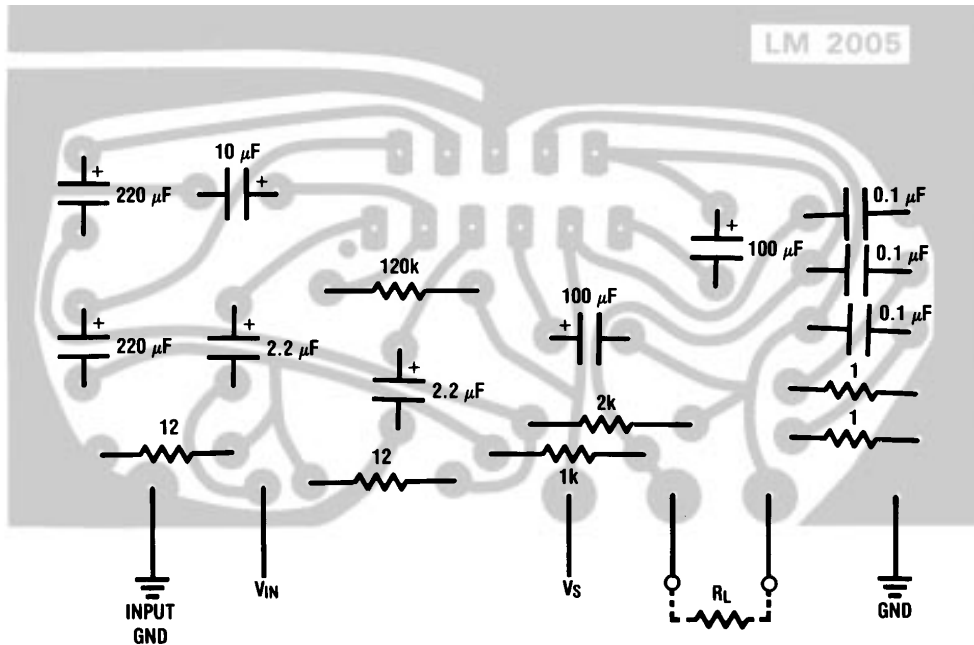


TL/H/5129-6

$A_V = 41.5 \text{ dB @ } 1 \text{ kHz}$

FIGURE 3. Minimal Component Application Circuit

Component Side (Scale 2:1)

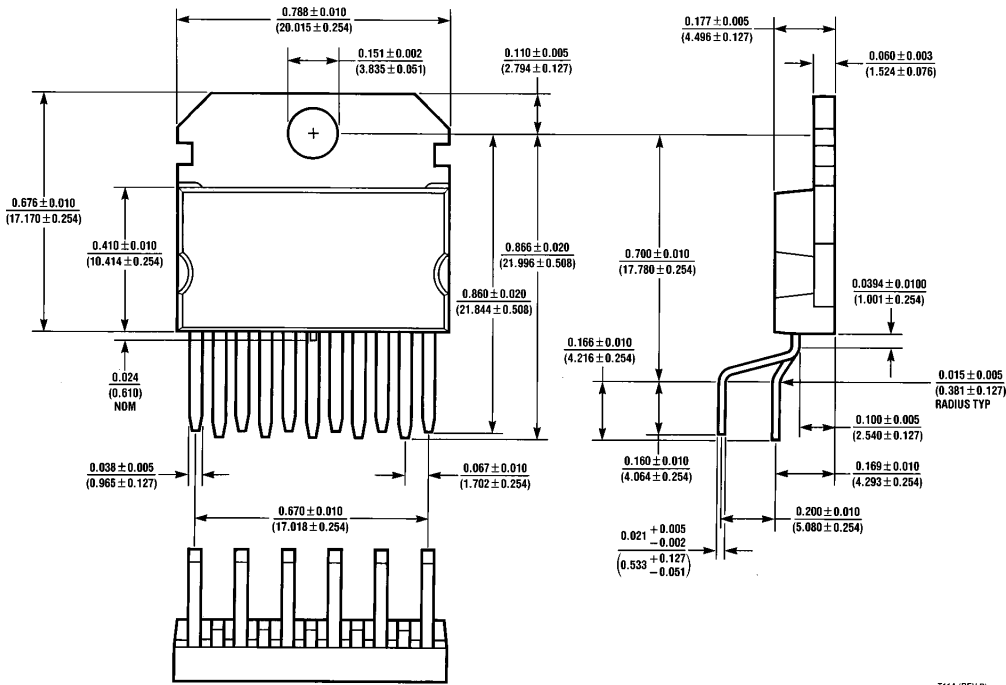


TL/H/5129-7

FIGURE 4. Printed Circuit Board Layout for LM2005

Physical Dimensions inches (millimeters)

Lit. # 107847



11-Lead TO-220 Power Package (T)
Order Number LM2005T-S or LM2005T-M
NS Package Number T11A

T11A (REV B)

LIFE SUPPORT POLICY

NATIONAL'S PRODUCTS ARE NOT AUTHORIZED FOR USE AS CRITICAL COMPONENTS IN LIFE SUPPORT DEVICES OR SYSTEMS WITHOUT THE EXPRESS WRITTEN APPROVAL OF THE PRESIDENT OF NATIONAL SEMICONDUCTOR CORPORATION. As used herein:

1. Life support devices or systems are devices or systems which, (a) are intended for surgical implant into the body, or (b) support or sustain life, and whose failure to perform, when properly used in accordance with instructions for use provided in the labeling, can be reasonably expected to result in a significant injury to the user.
2. A critical component is any component of a life support device or system whose failure to perform can be reasonably expected to cause the failure of the life support device or system, or to affect its safety or effectiveness.



National Semiconductor Corporation
 1111 West Bardin Road
 Arlington, TX 76017
 Tel: (800) 272-9959
 Fax: (800) 737-7018

National Semiconductor Europe
 Fax: (+49) 0-180-530 85 86
 Email: cnjwge@tevm2.nsc.com
 Deutsch Tel: (+49) 0-180-530 85 85
 English Tel: (+49) 0-180-532 78 32
 Français Tel: (+49) 0-180-532 93 58
 Italiano Tel: (+49) 0-180-534 16 80

National Semiconductor Hong Kong Ltd.
 19th Floor, Straight Block,
 Ocean Centre, 5 Canton Rd.
 Tsimshatsui, Kowloon
 Hong Kong
 Tel: (852) 2737-1600
 Fax: (852) 2736-9960

National Semiconductor Japan Ltd.
 Tel: 81-043-299-2309
 Fax: 81-043-299-2408

This datasheet has been downloaded from:

www.DatasheetCatalog.com

Datasheets for electronic components.

National Semiconductor was acquired by Texas Instruments.

http://www.ti.com/corp/docs/investor_relations/pr_09_23_2011_national_semiconductor.html

This file is the datasheet for the following electronic components:

LM2005T-M - <http://www.ti.com/product/lm2005t-m?HQS=TI-null-null-dscatalog-df-pf-null-wwe>

LM2005T-S - <http://www.ti.com/product/lm2005t-s?HQS=TI-null-null-dscatalog-df-pf-null-wwe>